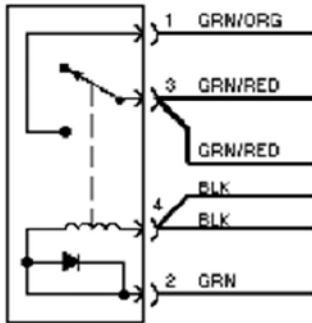
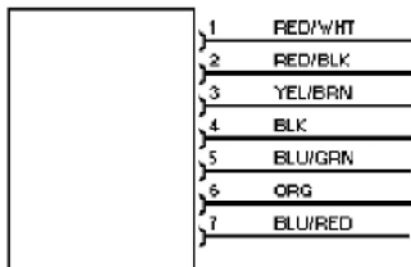


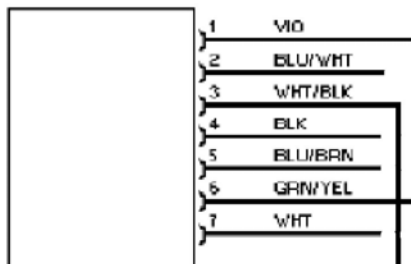
VOLVO 960 1992-1997 IGNITION COIL CIRCUIT



IGNITION
 COIL RELAY
 (ENGINE COMPARTMENT
 RELAY/FUSE BOX)



MOTRONIC POWER
 STAGE 1 MODULE
 (LEFT SIDE OF
 ENGINE, NEAR
 INTAKE MANIFOLD)



MOTRONIC POWER
 STAGE 2 MODULE
 (LEFT SIDE OF
 ENGINE, NEAR
 INTAKE MANIFOLD)

