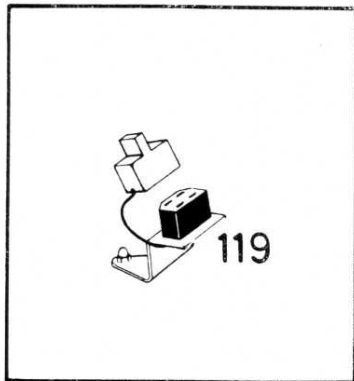
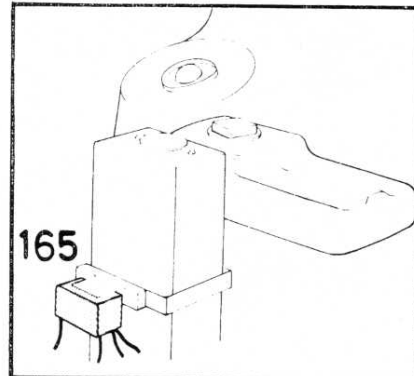


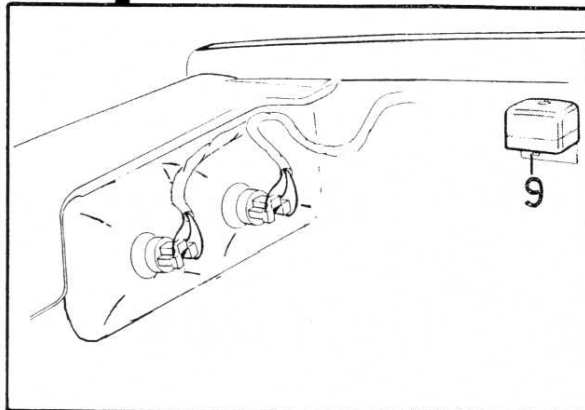
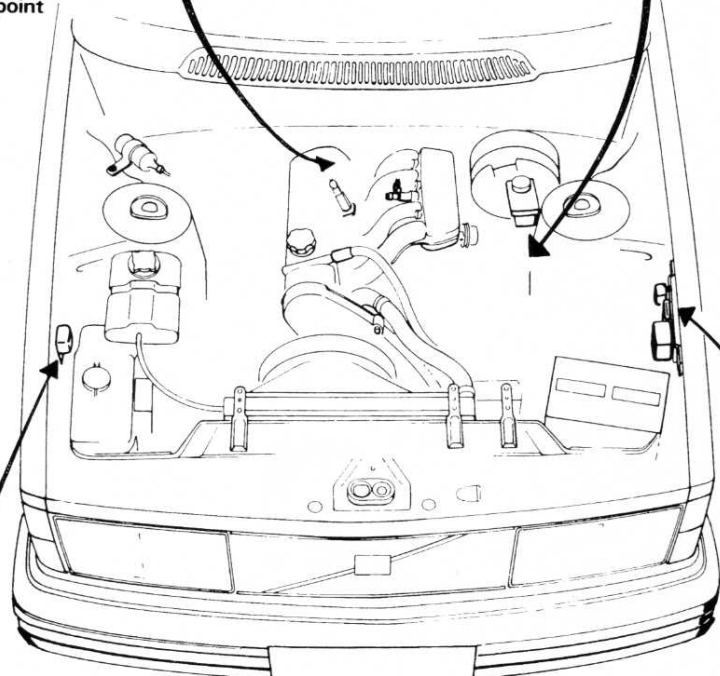
# Relay Locations, 1981 Volvo 240/260



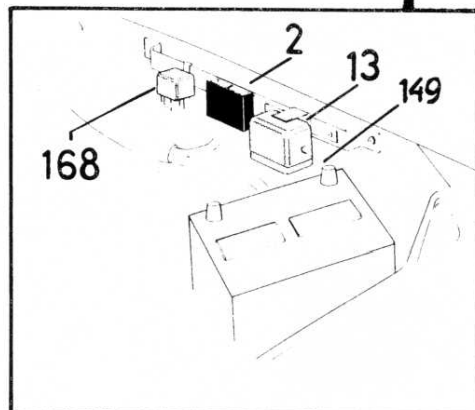
119 Test instrument pick-up point



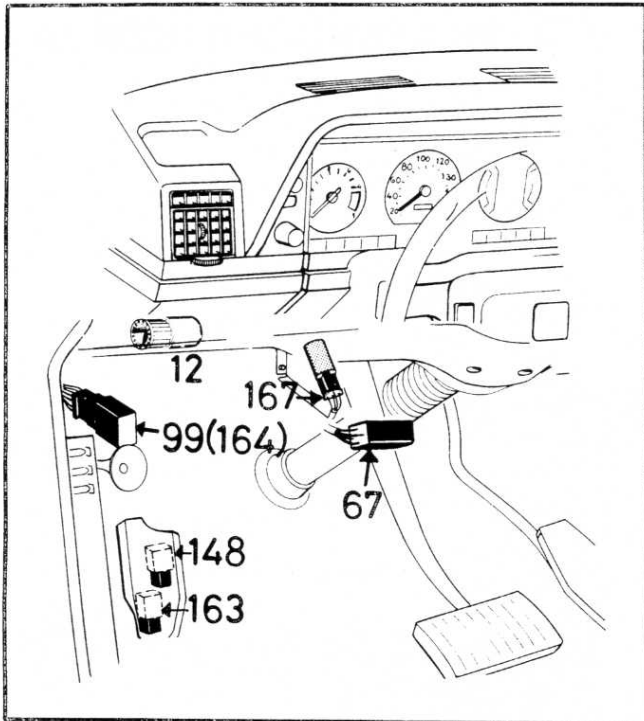
165 Diesel: glow plug relay



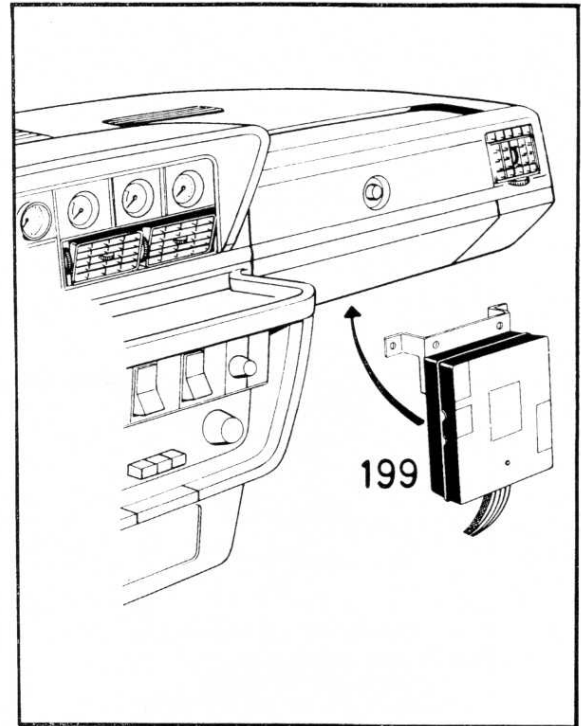
9 Voltage regulator



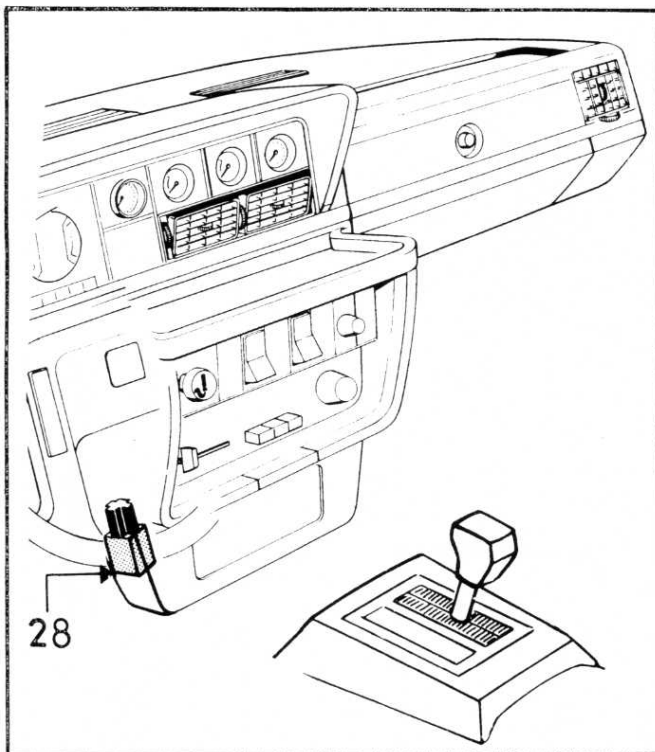
2 Connection box  
13 Upper/lower beam switch relay  
149 Lambda system test pick-up point  
168 Relay, electric cooling fan



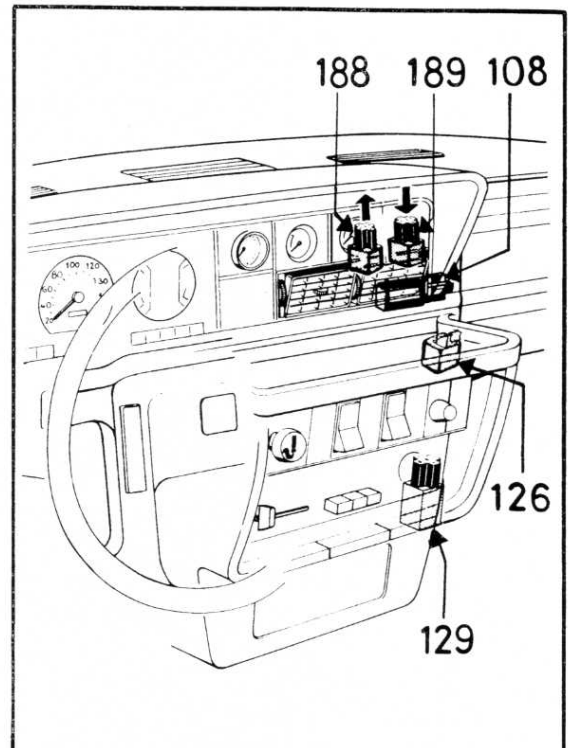
- 12 Bulb failure sensor
- 67 Key and light buzzer
- 99 Relay, fuel pump
- 148 Interval relay, window wipers
- 163 Interval relay, tail gate window wiper
- 164 Diesel, control unit
- 167 Relay, delayed interior light



199 Governor, cruise control



28 Flasher, turn signals



- 108 Relay, overdrive
- 126 Relay, window lifts
- 129 Relay, air conditioning
- 188 Central lock, unlock relay
- 189 Central lock, lock relay